

Kubota®



KUBOTA COMPACT EXCAVATOR

KX

KX121-3 SUPER SERIES

The power and versatility to take operational performance to new heights in the compact excavator class.

AB

FLOAT ANGLE BLADE





Designed from the ground up to give you the confidence to take on any digging or dozing job.

Powerful, durable, dependable, versatile. The KX121-3S compact excavator from Kubota is all that and more. With its load sensing hydraulic system, simultaneous 4-function operation, the strongest bucket force in its class, and smooth boom operation, the KX121-3S is highly productive. And, you can choose between a hydraulic Float Angle Blade and the all-new hydraulic 6-in-1 Blade, to help you complete backfilling and leveling chores quickly and easily. So if you've been hesitating to take on the tough assignments, get a KX121-3S and start digging and dozing with speed, efficiency and total confidence.

With two specially designed angle blades to increase your productivity in almost any environment

Hydraulic 6-in-1 Blade

Kubota's new hydraulic 6-in-1 Blade can be angled right and left, and now, tilted as well. This new blade enables six different positions: neutral, float-up, left-end-up, right-end-up, left-end-forward and right-end-forward. This feature makes leveling and backfilling work incredibly easy, even on inclines and uneven terrain, making you more productive and more efficient.



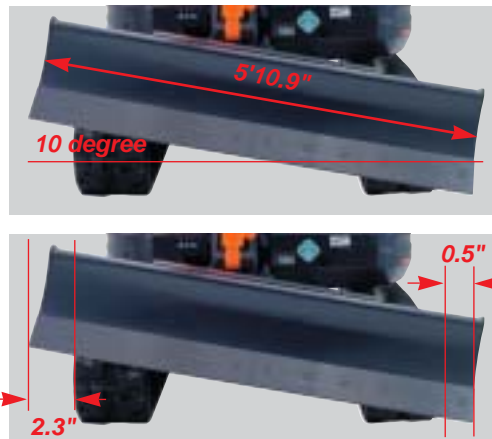
Easy single-lever operation

With a single lever and the push of a button, the 6-in-1 Blade is at your command. You can angle the blade by moving the lever right or left. To tilt the blade, press the "T" button atop the lever while moving the lever. Now you can attack leveling duties with unprecedented ease—with just one lever.



Superior width and tilt angle

This 5' 10.9"-wide blade stretches across the entire machine width, even when tilted. It can be tilted a generous 10 degrees right or left, allowing the operator to easily dig ditches when tilted on a flat surface.



1. Indicator

A convenient indicator makes it simple to return the blade to its original position.

2. Top cover

For added durability and increased protection from soil, dirt and rocks, we've covered the tilt cylinder.

3. Float position

Unlike many other models in its class, the KX121-3S's hydraulic 6-in-1 Blade is equipped with a float position mechanism. This feature dramatically improves efficiency during backfilling work.

4. Bolt-on cutting edge

Kubota's 6-in-1 Blade features a standard-equipped, durable cutting edge that protects the blade during heavy-duty dozing operations. The edge is divided into two sections for easy maintenance and simple replacement.

Comfort that keeps you working at peak efficiency.

Spacious operating area with deluxe suspension seat

More spacious than standard tail-swing excavators, the KX121-3S's comfortable operating area helps reduce operator fatigue. The high-back deluxe suspension seat is equipped with wrist rests. Moreover, the height and spring

firmness are adjustable, ensuring optimum comfort for every operator.

Convenient Two-pattern Selection System (TPSS)

Change between ISO and SAE operating patterns with a quick flip of the TPSS switch, without tools or leaving your seat.

Climate-controlled cab option

The standard heater and air conditioner let you work in cool comfort on the hottest days and in warm comfort on the coldest. All year round, no matter what the weather outside, the KX121-3S's climate-controlled cab will keep you comfortable and working at peak efficiency.



to choose from, the KX121-3S will boost
 nt.

AB Hydraulic Angle Blade

FLOAT ANGLE BLADE

Save time and work more efficiently. With a simple movement of the dozer lever, the hydraulic angle blade can be angled to the right or left to push soil to the side as the machine moves forward, eliminating the need for repetitive repositioning at right angles when backfilling trenches.

Tight spots

The angle blade lets you work efficiently in confined spaces, alongside walls, and near busy roads. No wider than the tracks, it's also easy to transport between jobs.

Easy operation

Up, down, left and right—the angle blade can be moved and positioned with just a single lever.

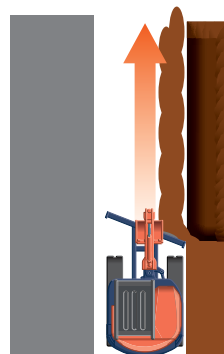


Float position

You don't need to adjust the dozer height to make a clean ground surface—after backfilling, just travel backward along the covered ditch with the dozer in the float position. Ground finishing work is now fast and easy!

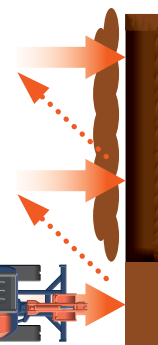


What makes our KX121-3S Angle Blade excavator so productive? Check it out.



With Angle Blade

Moving only in a forward direction one time, which is equivalent to a trencher backfilling its one side, the KX121-3S Angle Blade excavator backfills smoothly and efficiently.



Without Angle Blade

Without the angle blade feature, time-consuming, repetitive repositioning at right angles to the trench is required.

User-friendly operation



1. Simple forefinger operation

Used for some special applications that require continuous oil flow, such as a brush cutter. The on/off button controlled by the forefinger reduces operator fatigue.

2. Short stroke operating levers

The operating levers require less effort and shorter movements,

ensuring improved control, responsiveness and comfort, and reduced operator fatigue. Only a flick of the wrist is needed for smooth excavator operation.

3. Proportional flow auxiliary switch

A convenient thumb-operated switch enables easy operation of hydraulic thumbs and other hydraulic attachments such as augers and breakers.

4. 2-speed travel switch

The 2-speed travel switch is mounted on the dozer lever for easy operation and control, and advanced, user-friendly travel speed changes.

5. Wrist rests

Adjust the custom wrist rests to your favorite position, or just move them aside. Either way, they help reduce arm movement and operator fatigue for increased job efficiency.



NEW

Hydraulic 6-in-1 Blade

Kubota's new, easy-to-operate hydraulic 6-in-1 Blade will significantly improve your efficiency, whether you're working on inclines or uneven terrain.

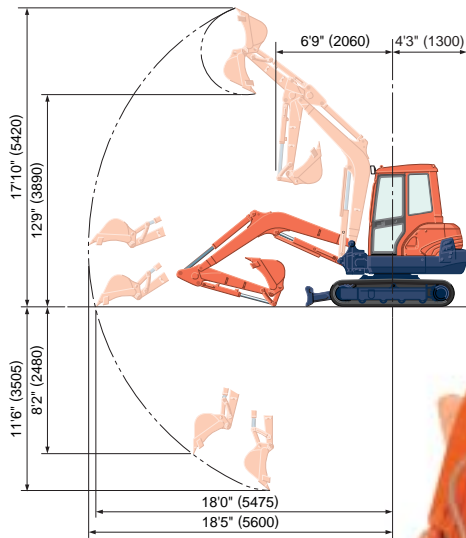


KUBOTA COMPACT EXCAVATOR

KX121-3



The power and versatility to take on a variety of tough jobs.



Wide working range

The KX121-3S's powerful and responsive front working group can handle all your digging, lifting, and loading jobs. With its large bucket capacity, long reach and formidable digging depth, the KX121-3S meets or exceeds most job requirements on the construction site.

Strong bucket breakout

Even when heavily loaded, the KX121-3S won't slow down, thanks to its powerful breakout force. With the dedicated or quick coupler bucket, the bucket breakout force is more than enough for even the toughest excavating jobs.



Load-sensing hydraulic system

You no longer need to change lever strokes to adjust the amount of oil required for varying job loads—control valves automatically regulate and distribute the optimum amount of oil to each cylinder based on the weight of the load, resulting in perfectly matched speed, power, and cylinder timing. Even the slightest operator movements produce smooth and simultaneous operation of the boom, arm, bucket and house.

Auxiliary hydraulics

Auxiliary hydraulic hoses are routed to the arm to accommodate a variety of attachments such as breakers and augers. The auxiliary hydraulic connections are located on the arm within easy reach and incorporate short hoses that are less likely to become tangled or damaged. The system includes bidirectional auxiliary hydraulic controls, as well as a control valve.



Clean-running Kubota Engine

Complies with Interim Tier IV!

Powerful and dependable, the KX121-3S's diesel engine delivers superior horsepower and performance. It offers low noise and vibration levels, exceptional fuel efficiency, and complies with the EPA's 2008 interim Tier IV emissions regulations.



Auto idling system

Save fuel with Kubota's Auto Idle. When the control levers are in neutral for more than 4 seconds, the engine RPM automatically idles. Move any control lever and the engine RPM immediately returns. This innovative feature reduces noise and exhaust emissions while reducing operating costs.



Adjustable maximum oil flow control for auxiliary port

The digital instrument panel lets you control the oil flow according to your needs or the attachment in use. It eliminates the hassle of using tools to change settings manually, so you don't have to leave the cabin. When using a tilt bucket, you can slow the flow to get just the right control to gently shape a swale. Alternatively, for a brush cutter, direct the oil flow to one side of the excavator arm. The system will even store your settings for the next time you need it, saving time and quickly regulating the flow requirements. Adjustable oil flow enhances performance and saves fuel.



Digital panel

A digital panel and the Kubota Intelligent Control System (KICS) help reduce excavator downtime and repair fees by providing accurate and timely diagnostic readings and routine maintenance alerts. The panel not only lets you know when fuel is running low, but warns you during refueling when the tank is nearly full.



Routine maintenance alert display



Low fuel display

Value Thumb bracket

The factory-installed thumb bracket and relief valve significantly reduce the time needed to mount the optional hydraulic thumb.



Extraordinary stability and lifting capacity

Innovative counter-balancing technology provides superior excavator stability. Long tumbler distance, a lower center of gravity, and double flanged lower track rollers combine to deliver safe and effective performance when working to the side or with hydraulic attachments, or lifting heavy objects.

Rear corner protectors

Two heavy-duty protectors—one on each rear corner—protect the engine hood and side covers from damage when working in tight spaces.



Simple maintenance keeps the KX121-3S working longer.

ROPS/FOPS canopy and cab

The ROPS/FOPS canopy and cab provide complete protection from accidental rollovers and falling objects. Both the ROPS and the FOPS meet the applicable ISO, SAE, and OSHA standards to ensure an extra level of safety and security on the job.

Two-piece hose design

The two-piece hose connections for the dozer and boom cylinder hoses simplify hose replacement and reduce downtime.

Protected cylinder hoses

The bucket cylinder hoses are located inside the arm. And the boom cylinder hoses are routed under the boom bottom.

Centralized swivel bearing lubrication

Grease ports for the swivel bearing, gear teeth, and swing cylinder pin are conveniently grouped on the front of the house.

Front pin bushings

To maximize durability, we've introduced bushings on all of the pivot points on the front attachment and connecting points on the swing bracket.

Third-line hydraulic return

When working with one-way hydraulic attachments, such as a breaker or brush cutter, the standard third-line hydraulic return system allows oil to flow directly back to the tank without running through the control valves. This contributes to less oil contamination, reduced back pressure, and greater oil flow efficiency.



Easy maintenance

The KX121-3S is a breeze to maintain. The side and rear covers open wide and the main components are centrally located, giving you quick and easy access to all vital areas, including the engine, fuel tank, water separator, radiator, coolant reservoir, air filter, control valve and hydraulic tank.

Boom cylinder cover

Reinforced to provide maximum protection, the boom cylinder cover features a thick, V-shape design that deflects accidental contacts from the hydraulic breaker tool and prevents damage to the boom cylinder rod.



Air conditioner filter cartridge

The air conditioner filter cartridge features a new frame which is easy to access and slides out for cleaning and maintenance.



Safety

Safety is designed into every detail of the KX121-3S. An Engine Start Lockout System prevents the engine from starting when the safety levers are lowered. A Safety Lever Lockout System helps prevent unexpected excavator and attachment movement when entering or exiting the machine. An Auto House Parking Brake automatically locks the house in the position it was in when the engine was shut off, eliminating the need for a swing lock pin. It also makes the excavator more compact during transport and more secure when parked on an incline.

Accumulator

The accumulator makes replacing attachments safer and more efficient. Turning the key to the "on" position clears residual pressure in the auxiliary hydraulic hose. If the engine is accidentally shut off while the front attachment is raised, turning the key to the "on" position allows you to safely lower it.



KX121-3S OPTIONS

Buckets

Spark arrest muffler

Travel alarm

Canopy lights

Hydraulic thumb

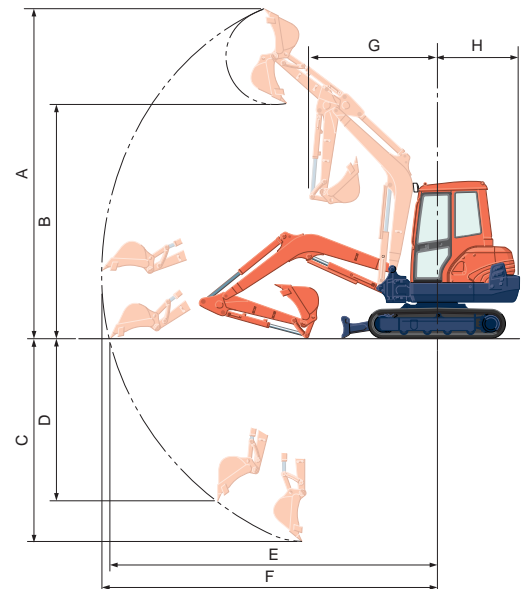
Quick coupler

Hydraulic hammer



WORKING RANGE

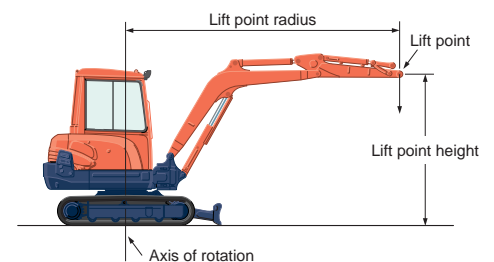
Model		KX121-3S		
A	Max. digging height	ft. in. (mm)	17'10" (5420)	
B	Max. dumping height	ft. in. (mm)	12'9" (3890)	
C	Max. digging depth	ft. in. (mm)	11'6" (3505)	
D	Max. vertical digging depth	ft. in. (mm)	9'6" (2900)	
E	Max. digging radius, at ground level	ft. in. (mm)	18'0" (5475)	
F	Max. digging radius	ft. in. (mm)	18'5" (5600)	
G	Min. turning radius	W/o swing	ft. in. (mm)	6'9" (2060)
		With swing	ft. in. (mm)	5'6" (1665)
H	Min. tail turning radius	ft. in. (mm)	4'3" (1300)	



LIFTING CAPACITY

LIFT POINT HEIGHT (ft)	LIFTING CAPACITY OVER THE FRONT, BLADE DOWN unit=1000lbs			LIFTING CAPACITY OVER THE SIDE unit=1000lbs		
	LIFT POINT RADIUS (ft)			LIFT POINT RADIUS (ft)		
	8	12	14	8	12	14
6	2.63	1.86	1.71	2.63	1.56	1.24
4	3.43	2.08	1.83	2.68	1.52	1.22
2	3.96	2.27	1.93	2.57	1.47	1.20
GL	4.16	2.39	1.99	2.51	1.44	1.18

Machine with ROPS canopy and rubber crawler, without bucket

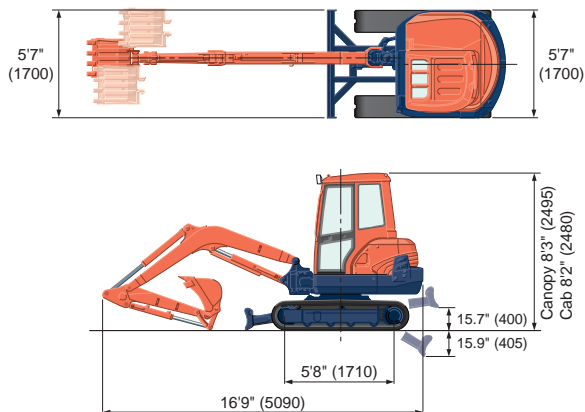


SPECIFICATIONS

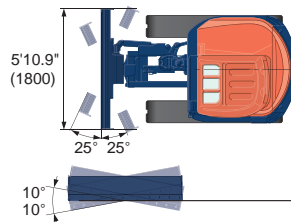
Model				KX121-3S	KX121-3S 6-in-1 Blade	KX121-3S Angle Blade
Type of ROPS / FOPS				Canopy / Cab		
Type of tracks				Steel / Rubber		
Engine	Model			Kubota V2203-M-E3		
	Output (SAEJ 1995 gross)	HP (kW)/rpm			40.5 (30.2) / 2250	
	Output (SAEJ 1349 net)	HP (kW)/rpm			39.0 (29.1) / 2250	
	Displacement	cu. in. (cc)			134.1 (2197)	
Dimensions	Overall length	ft. in. (mm)			16'9" (5090)	
	Overall height	Canopy / Cab	ft. in. (mm)			8'3" (2495) / 8'2" (2480)
	Overall width		ft. in. (mm)	5'7" (1700)	5'10.9" (1800)	5'7" (1700)
	Min. ground clearance		in. (mm)	13.0" (330)		
Hydraulic system	Pump capacity	GPM (ℓ/min)			25.0 (94.5)	
	Auxiliary hydraulic flow	GPM (ℓ/min)			17.2 (65.0)	
	Max. breakout force	Bucket / Arm	lbs. (kgf)	7187 (3260) / 3947 (1790)		
Drive system	Travel speed	Low / High	mph (km/h)	1.7 (2.7) / 3.1 (5.0)		
	Max. traction force	Low speed	lbs. (kgf)	9867 (4485)		
	Tumbler distance		ft. in. (mm)	5'8" (1710)		
	Crawler length		ft. in. (mm)	7'2" (2175)		
	Shoe width		in. (mm)	13.8" (350)		
	Ground contact pressure	Canopy Rubber / Steel	psi (kgf/cm ²)	4.41 (0.31) / 4.41 (0.31)	4.83 (0.34) / 4.83 (0.34)	4.41 (0.31) / 4.56 (0.32)
	Cab Rubber / Steel	psi (kgf/cm ²)	4.41 (0.31) / 4.55 (0.32)	4.98 (0.35) / 4.98 (0.35)	4.41 (0.31) / 4.69 (0.33)	
Swing system	Unit swing speed		rpm	9.4		
	Boom swing angle	Left / Right	degree	80 / 50		
Blade	Dimensions	Width	ft. in. (mm)	5'7" (1700)	5'10.9" (1800)	5'7" (1700)
		Height	in. (mm)	13.8" (350)	15.16" (385)	
	Max. lift above ground		in. (mm)	15.7" (400)	17.0" (433)	16.5" (420)
	Max. drop below ground		in. (mm)	15.9" (405)	20.7" (527)	20.1" (510)
	Max. swing angle	Left / Right	degree	-	25	25
	Tilt	gal (ℓ)	-	10	-	
Hydraulic oil (reservoir / system)			gal (ℓ)	12.0 (46) / 19.8 (75)		
Fuel reservoir			gal (ℓ)	16.9 (64)		
Operating weight (Including operator's weight 175 lbs.)	Canopy Rubber / Steel	lbs. (kgf)	9063 (4110) / 9185 (4175)	9790 (4440) / 9930 (4505)	9435 (4280) / 9656 (4380)	
	Cab Rubber / Steel	lbs. (kgf)	9261 (4200) / 9383 (4265)	9990 (4530) / 10130 (4595)	9634 (4370) / 9855 (4470)	

The company reserves the right to change the above specifications without notice. This brochure is for descriptive purposes only. Please contact your local Kubota dealer for warranty information. For your safety, Kubota strongly recommends the use of a Rollover Protective Structure (ROPS) and seat belt for almost all applications.

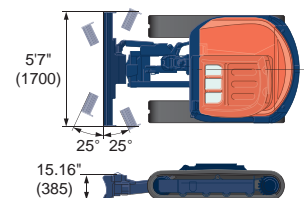
DIMENSIONS



6-in-1 Blade



Angle Blade



Unit: ft. in. (mm)

©2008 Kubota Corporation



KUBOTA CANADA LTD.

Head Office: 5900 14th Avenue, Markham, Ontario L3S 4K4 TEL: (905) 294-7477 FAX: (905) 294-6651
 Delta Distribution Centre: 7979 82nd Street, Delta, B.C. V4G 1L7 TEL: (604) 940-6061 FAX: (604) 940-6067
 Drummondville Distribution Office: 5705 Place Kubota, Drummondville, PQ, J2B 6V4 TEL: (819) 478-7151 FAX: (819) 478-7836

Visit our web site at: www.kubota.ca

